

Polar – Sinutherm Wall systems

Polar wall system

The Polar wall is a complete wall system based on sandwich panels. It includes all necessary framed openings, fasteners and finishing flashings.

Different insulation thicknesses and panel profiles are available within the Polar wall system. They consist of two profiled ribbed coated steel panels, produced by cold roll forming, between which a CFC free polyurethane foam is factory injected. Tongue and groove jointing arrangement ensure watertightness.

TECHNICAL SPECIFICATIONS:

Panel thickness: up to 80mm

Cover width: 1,000mm

The U-values of the different products are those published by the panel manufacturers.

FIXING:

Polar panels are fixed vertically to the secondary framing by special screws, complete with colour matching composite nylon heads or, as an option, with hidden fasteners.

COLOURS AND COATINGS:

The Polar wall systems offer different coatings satisfying the various climatic requirements.

Exterior coatings and colours are those published by the panel manufacturer.

Interior coatings: Superpolyester in grey white

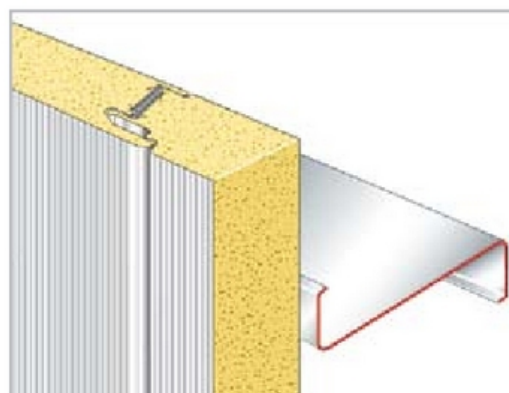
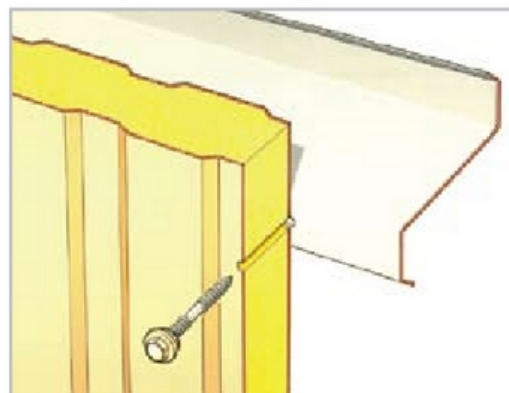
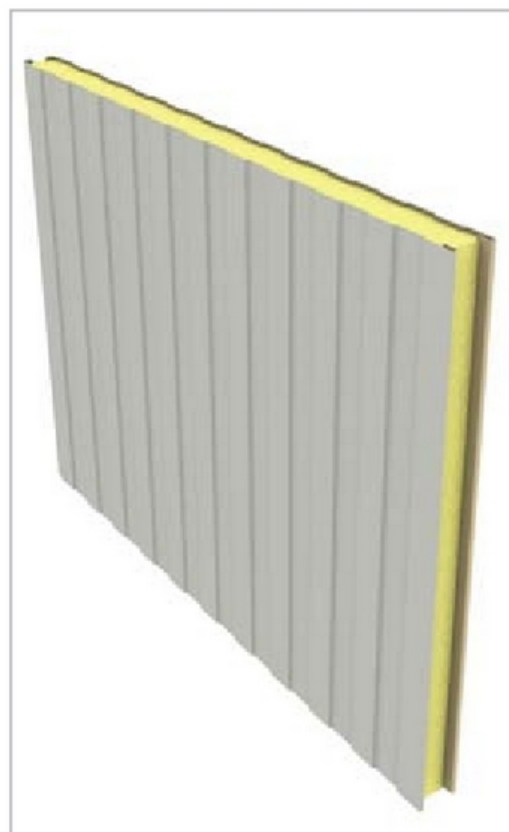
ACCESSORIES:

A range of fully compatible accessories is available for each of the Polar wall systems. They ensure complete watertightness and pleasing aesthetics:

- Single or double personnel doors
- Truck doors
- Window frames
- Framed openings
- Wall louvres
- Flashings and trims

ADVANTAGES:

- High degree of thermal insulation
- Aesthetical exterior and interior finishes
- Easy maintenance
- Quick erection
- Large range of integrated accessories



Sinutherm wall system

The Sinutherm wall is a complete wall system based on sandwich panels with sinusoidal corrugation on the exterior panel and a slightly ribbed interior surface.

Consisting of two coated steel panels, produced by cold roll forming, between which a CFC-free polyurethane foam is factory injected. Sinutherm panels are produced from steel, which is protected by a GALFAN coat on both sides and have a superpolyester or PVDF exterior coating.

TECHNICAL SPECIFICATIONS:

The vertical panel-to-panel joints are coated aluminium transition channels.

- Total panel thickness: 84mm
- Cover width: 1,000mm (8 modules of 125mm)
- Fire rating: B-s3, d0 according to EN 13501-1
- U-value: 0.34W/(m²*K)

FIXING:

The panels are fixed horizontally to sub-girts by means of self-tapping screws, which are hidden in the longitudinal overlaps. These overlaps have a factory applied watertight tape sealant.

COLOURS AND COATINGS:

The Sinutherm wall system offers different coatings satisfying the various climatic requirements

Exterior coatings: 25 micron:

- superpolyester in colour 21
- PVDF in colour 21 or 29

Interior coatings: light grey primer

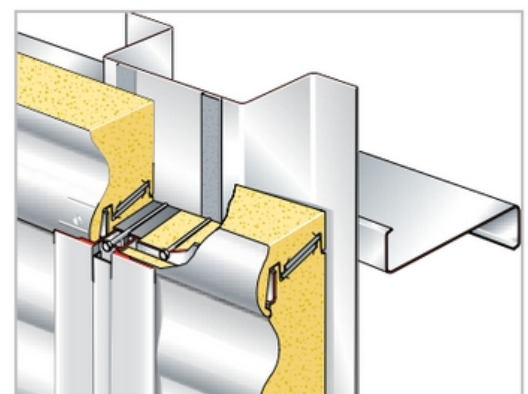
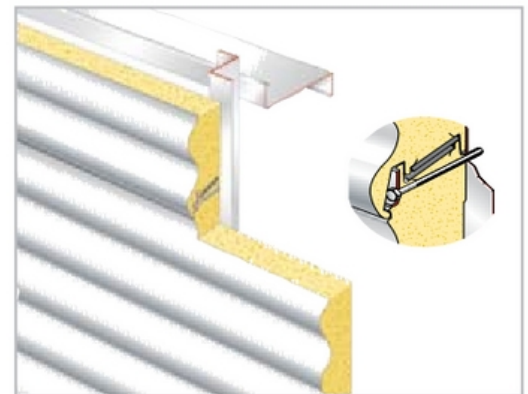
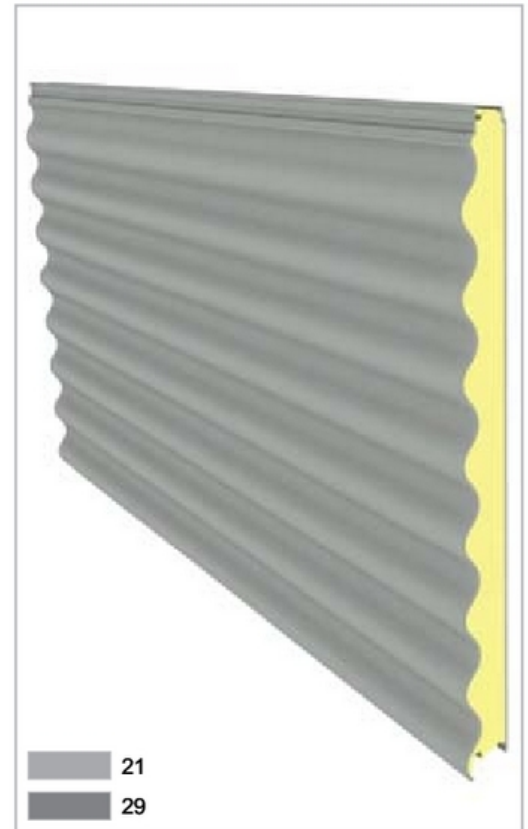
ACCESSORIES:

A range of fully compatible accessories is available for the Sinutherm wall system. They ensure complete watertightness and pleasing aesthetics:

- Single or double personnel doors
- Truck doors
- Window frames
- Framed openings
- Wall louvres
- Flashings and trims

ADVANTAGES:

- Architecturally pleasing, horizontally installed sandwich panel
- Hidden fixations
- High performance insulation
- Quick erection
- All flashings and connecting parts



www.astron.biz



Astron is the brand name of the products sold by the Building Systems Business area of the Lindab group, Europe's largest manufacturer of steel building systems for industrial, office and commercial use.

Lindab-Astron produce up to 1,000 buildings a year, distributed either through a network of 400 certified independent Builders, spanning nearly 40 countries or through our Key Accounts Unit. Our headquarters is located in Diekirch (Luxembourg). Lindab's concept is clear and simple:

We simplify construction

Lindab-Astron:

<http://www.astron.biz/contact/Astron.html>

Luxembourg:

Route d'Ettelbruck
L-9230 Diekirch
Tel.: +352 80291-1
Fax: +352 803466

Czech Republic:

Kojetínská 71
CZ-75053 Píerov
Tel.: +420 581 250 222
Fax: +420 581 250 205

Hungary:

Derkovits u. 119.
H-4400 Nyiregyháza
Tel.: +36 42 501 310
Fax: +36 42 312 029

Russia:

ul. Sovetskaya 69
RUS-15003 Yaroslavl
Tel.: +7 4852 42 70 43
Fax: +7 4852 42 70 43-115

Germany:

Wilh.-Theodor-Römheld-Str. 32
D-55130 Mainz
Tel.: +49 (0)6131 8309-00
Fax: +49 (0)6131 8309-20

Poland:

ul. Kolejowa 311
Sadowa
PL-05-092 Łomianki
Tel.: +48 (0)22 489 88 91
Fax: +48 (0)22 489 88 98

France:

20, r. Pierre Mendès-France
Torcy, CEDEX 01
F-77202 Marne-la-Vallée
Tel.: +33 (0)1 6462-1616
Fax: +33 (0)1 6462-1092

United Kingdom:

Evans Business Centre
Mitchelston Ind. Estate
GB-Kirkcaldy, Fife
Scotland KY13 UF
Tel.: +44 1592 65 23 00
Fax: +44 1592 65 31 35

Russia:

14G, Magistralnaya str.
Building 1
RUS-123290 Moscow
Tel.: +7 495 981 3960
Fax: +7 495 981 3961

Ukraine:

Saksaganskogo Str. 123
office 3
UA-01032 Kiev
Tel.: +380 44 490 6164
Fax: +380 44 490 6759

Romania:

Soseaua de Centura nr. 8
Stefanestii de Jos
RO-077175 Ilfov
Tel.: +40 21209 4100
Fax: +40 21209 4124

Italy:

Via S. Martino Solferino 40
I-35122 Padova
Tel.: +39 333 3286388
Fax: +39 049 658367

Bulgaria:

Str. Captain D. Spisarevski N°38
BG-1592 Sofia, Drujba 1
Tel.: +359 2 979 97 00
Fax: +359 2 979 97 01

Belarus:

pr-t gazety "Prawda", 11
BY-220116 Minsk
Tel.: +375 29 311 44 59
Fax: +375 17 270 38 95

Lithuania:

Mokslininkų g. 20
LT-08412 Vilnius
Tel.: +370 5 272 97 29
Fax: +370 5 272 97 30